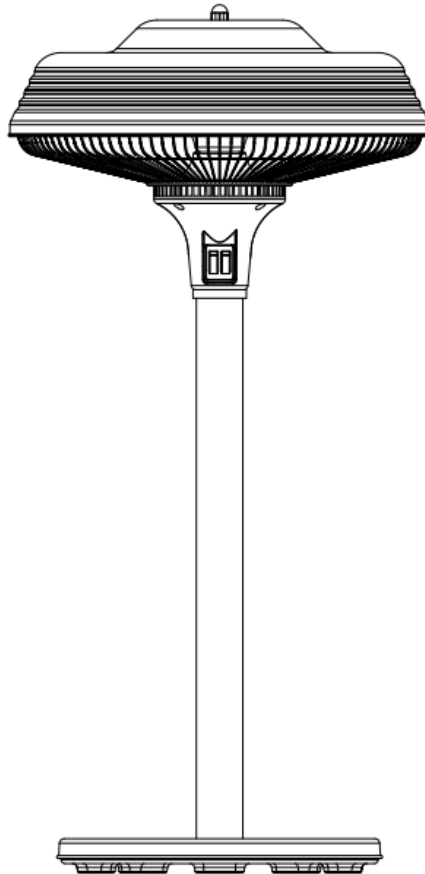


OWNER'S MANUAL

**Patio Heater
Model: HIL-G15D**



ATTACH YOUR RECEIPT HERE

Serial Number:

Purchase Date:



Questions, problems, missing parts? Before returning to your retailer, call our customer service department at **1-888-775-1330**, 7 a.m.- 4 p.m., Monday – Friday or email our warranty department at warranty@azpatioheaters.com.

Thank you for purchasing this infrared heater. We hope you will be satisfied with it. To ensure the best performance, please read these instructions carefully before use and keep them in a safe place.

Safety Warnings

Please follow all the safety precautions listed below for safety and to reduce the risk of injury or electrical shock.

- Read this Instruction Manual carefully to maximize this appliance's performance and keep for future reference.

- Always ensure that your power supply voltage matches this appliance's rating label.

- Never leave the appliance unattended while in operation. Always unplug the appliance when not in use.

- This heater is hot when in use. To avoid burns, do not let bare skin touch hot surfaces.

- **Caution: Some parts of this product can become very hot and cause burns. Do not leave children unattended with this heater.**

- Keep combustible materials such as furniture, pillows, bedding, papers, clothes and curtains at least 3 feet from the heater. Only use this heater while the base is on a flat, level surface.

- **Children under 3 years old should be kept away unless continuously supervised.**

- **This appliance can be used by children 8 years and older if properly supervised.**

- **Children shall not play with the appliance. Children should not clean or perform maintenance on this heater.**

- Do not use the product if there are any visible signs of damage to the appliance.

- Do not attempt to repair or adjust any electrical or mechanical functions on this unit. The unit does not contain any user serviceable parts. Only a qualified electrician should perform servicing or repairs. Attempting to repair the unit yourself will void your warranty.

- If the main cable is damaged it must be replaced by the manufacturer, its service agent, or similarly qualified persons in order to avoid a hazard.

- Do not replace or attempt to replace the element in this product.

- This product is suitable for indoor and outdoor use. Do not operate the appliance in direct sunlight, near heat sources, humid environments or in places near water or other liquids such as bathrooms, shower or swimming pool.

- Do not operate with wet hands or spill water or other liquids on the appliance, the main cable, or plug.

- Do not run the power cable under carpeting. Do not cover the power cable with rugs, runner, or similar coverings. Arrange the power cable away from foot traffic and where it will not be tripped over.

- Do not wind the power cable around the unit.

- Do not insert or allow foreign objects to enter any ventilation or opening on the heater, as this may result in electric shock, fire, or damage to the heater.

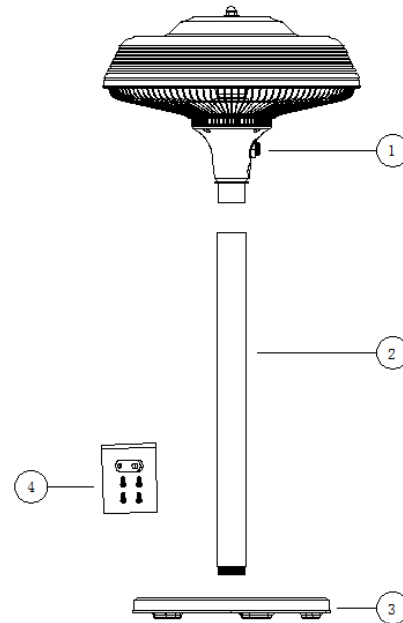
- To prevent a possible fire, do not block the air vents.

- Do not use the appliance in areas where petrol, paints or other flammable substances are used or stored.

- Always position the appliance with the main plug in an accessible position and avoid the use of an extension cord as they may overheat and create a potential fire risk.
- Always ensure the heater is plugged into a suitable socket, one that is tested for outdoor use.
- To disconnect heater, turn controls to OFF, then remove plug from socket. Do not unplug by pulling on the power cable.
- Always unplug the unit and ensure the unit is completely cooled before moving, cleaning or storing.
- This heater is intended for domestic use only and should not be used commercially for contract purposes. Any alternative use, not recommended by the manufacturer, may result in fire, electric shock, or injury to persons.
- The use of attachments on the heater is not recommended.
- Warning: This heater is not equipped with a device to control the room temperature. Do not use this heater in small rooms when occupied by persons not capable of leaving a room on their own, unless constant supervision is provided.**
- Check exterior walls for areas of damage before installing the heater.
- Check exterior walls for communication and electrical cables and pipelines. -Should any service lines be present in the immediate vicinity do not install your heater, find an alternative location to install this product.
- If the supply cord is damaged, it must be replaced by the manufacturer or its service agent or a similarly qualified person in order to avoid a hazard.**
- The light source of this luminaire is not replaceable; when the light source reaches its end of life the whole luminaire shall be replaced.**

Part Description

- Heating Element Assembly
- Pole
- Base
- Hardware



1 - WARNINGS

- This electrical appliance complies with technical safety and electromagnetic compatibility standards.
- Never touch your heater when in operation (risk of burns).
- Never touch it with wet hand.
- Never rotate the heating part of the appliance during operation. Do not move heater while in use.
- Never place anything on your heater's safety guard as this may cause overheating (e.g. towels)
- Although the heating element has stopped glowing, it may still be live and potentially dangerous. Make sure both switches are in the OFF position before moving.
- Switch off your appliance:
 - After use
 - In the event of malfunction
 - Before cleaning it
- Never operate your appliance if it has fallen over.
- Never dismantle your appliance. An incorrectly repaired appliance maybe dangerous to the user.
- The warranty will be void in the event of damage from improper use.
- Do not use this heater in the immediate surrounding of a bath, a shower or a swimming pool.
- This movable appliance is designed for use in gardens, and can be used indoor and outdoor. The warranty will not apply to appliances used for professional usage. Although the heater may be used outdoors, the main plug must only be connected to a grounded outlet
- The heater is provided with an anti-tilt switch that will switch off the heater if it is

overturned, and will switch it on again automatically when it is restored to its upright position.

2 - VOLTAGE

Before using the appliance at the first time, ensure that your mains voltage corresponds to voltage indicated on the appliance. **It is a class I appliance and must be grounded.**

3 - SAFETY

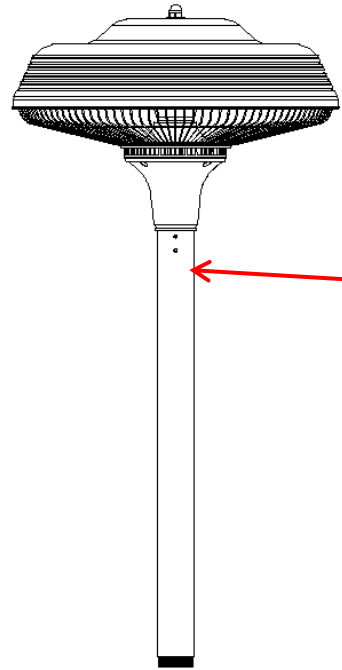
CAUTION: Before fitting or removing the appliance, ensure that the heater's power line supplying the heater is disconnected. Check that the power line is connected to a 30A differential circuit breaker.

- This appliance is designed for use in gardens and any room in your house, including those where there is a risk of splashing. The installation and use of your appliance must comply with the applicable standards in your country.
- When switched on, an electrical heating appliance reaches very high temperature liable to cause burns. Make sure that all other users are aware of the risks.
- If you have any doubts concerning installation possibilities for this heater, please consult a qualified electrician.
- Children, the elderly and the infirm may not always be aware of the danger involved in using electrical appliances. Do not allow this appliance to be used without supervision.
- The appliance must be positioned so that the plug is accessible.
- If the supply cord is damaged, it must be replaced by the manufacturer or its service agent or similar qualified person in order to avoid a hazard
- The heater must not be located immediately below a socket-outlet
- Do not use this heater with a programmer, timer or any other device that switches the heater on automatically, since a fire risk exists if the heater is covered or positioned incorrectly.
- Do not place the appliance close to curtains and other combustible materials.

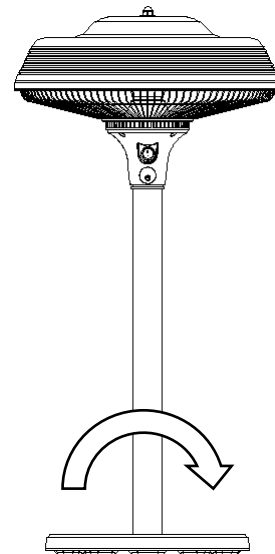
4 - ASSEMBLY

Before installing your appliance, you must disconnect the electrical supply from the circuit breaker.

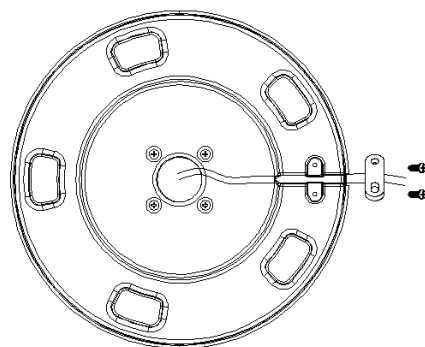
1. Insert the head assembly into the pole and feed the power cord through, then lock it in place with included 2 3.5x12 Phillips screws.



2. Put the power cord through the center hole of the base, and then screw the heater assembly clockwise into the base.



3. Put the power cord into the groove at the bottom of the base and then use 6x14 Phillips screws to lock it.



5 - OPERATION

The heater must work with an appropriate voltage and frequency (AC120V,60Hz) and be connected to separate, properly grounded branch circuits protected by circuit breakers that comply with wiring rules. Use only when the heater is in upright condition.

1. Press the left switch to turn on the inner heating element.
2. Press the right switch to turn on the outer heating element.

6 - MAINTENANCE

Your appliance does not require any maintenance. However, in the event of a malfunction, **please consult an Approved Service Center.**

- 1, This appliance is not intended for use by persons (including children) with reduced physical, sensory or mental capabilities or lack of experience and knowledge, unless they have been given supervision or instruction concerning use of the appliance by a person responsible for their safety.
- 2, Children should be supervised to ensure that they do not play with the appliance.

For all warranty issues, please call the warranty department at **1-888-775-1330**.

LIMITED WARRANTY

AZ Patio Heater, LLC ("Vendor") warrants to the original retail purchaser of this heater to no other person, that if this heater is assembled and operated in accordance with the printed instructions accompanying it, then for a period of one year from the date of purchase, all parts in such heater shall be free from defects in manufacturing and workmanship. Vendor may require reasonable proof of your date of purchase from an authorized retailer or distributor. Therefore, you should retain your sales slip or invoice. This limited Warranty shall be limited to the repair or replacement of parts, which prove defective under normal use and service and which the vendor shall determine in its reasonable discretion upon examination to be defective. Before returning any parts, you should contact Vendors customer service department using the contact information listed below. If Vendor confirms, after examination a defect covered by this limited warranty in any returned part, and if Vendor approves the claim, Vendor will replace such defective part without charge. If you return defective parts, Transportation charges must be prepaid by you. Vendor will return replacement parts to the original retail purchaser, Freight or postage prepaid.

The limited Warranty does not cover any failures or operating difficulties due to accident, abuse, misuse, alteration, misapplication, improper installation or improper maintenance or service by you or third party. The failure to perform normal and routine maintenance on the product, shipping, damage, abnormal adjustment to the burner, damage or repairs related to insects, birds, or animals of any kind, and damage due to weather conditions as set out in this owner's manual. In addition, the Limited Warranty does not cover damage to the finish such as scratches, dents, discoloration, rust or weather damage, after purchase. Please protect your investment.

The limited Warranty is in lieu of all other warranties offered by any retail company. Vendor disclaims all warranties for products that are purchased from sellers other than authorized retailers or distributors. AFTER THE PERIOD OF THE 1 YEAR WARRANTY, VENDOR DISCLAIMS ANY AND IMPLIED WARRANTIES, INCLUDING WITHOUT LIMITATION THE IMPLIED WARRANTIES OF MERCHANTABILITY AND FITNESS FOR A PARTICULAR PURPOSE. FURTHER, VENDOR SHALL HAVE NO LIABILITY WHATSOEVER TO PURCHASER OR ANY THIRD PARTY FOR ANY SPECIAL, INDIRECT, PUNITIVE, INCIDENTAL, OR CONSEQUENTIAL DAMAGES. Vendor assumes no responsibility for any defects caused by third parties. This limited warranty gives the purchaser specific legal rights; a purchaser may have other rights depending upon where he or she lives. Some jurisdictions do not allow the exclusion or limitation of special, incidental or consequential damages, or limitations on how long a warranty lasts, so the above exclusion and limitations may not apply to you.

Vendor does not authorize any person or company to assume for it any other obligation or liability in connection with the sale, installation, use, removal, return, or replacement of its equipment, and no such representations are binding on vendor.

For warranty service, please contact warranty@azpatioheaters.com or call us toll free at 888-775-1330.