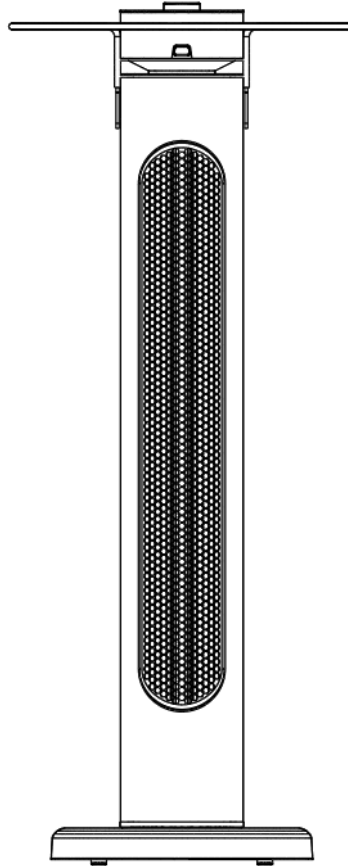


# OWNER'S MANUAL

Patio Heater  
Model: HIL-GR15Y



**ATTACH YOUR RECEIPT HERE**

**Serial Number:**

**Purchase Date:**



**Questions, problems, missing parts?** Before returning to your retailer, call our customer service department at **1-888-775-1330**, 7 a.m.- 4 p.m., Monday – Friday or email our warranty department at [warranty@azpatioheaters.com](mailto:warranty@azpatioheaters.com).

Thank you for purchasing the new remote infrared heater.

These operating instructions will help you use it correctly and safely.

We recommend that you take some time to read this instruction manual so that you can fully understand all the operating functions it provides.

Please read all safety instructions carefully before use, and keep this manual for future reference.

## **Safety warning**

Please read all instructions before trying to operate this device. Keep the assembly instructions for future reference. When storing the heater during a long period of non-use, please keep the original packaging for use.

-Do not leave this device unattended when using it.

-This heater will get hot when in use. Do not touch hot surfaces.

-Note: Some parts of this product may become very hot and cause burns. Do not leave children unattended with this heater.

-Do not move heater while in use. Before moving, please wait for the heater to cool completely, and check whether the heater has been unplugged from the power supply.

-Place the device at least 3 feet away from flammable materials such as furniture, trees, leaves, hay and bushes.

-The heater must not face the wall or curtain. The heater element must face the area to be heated.

-**WARNING:** to avoid overheating, do not cover the heater. Do not use heater to dry wet clothing.

-Children aged 8 and above, as well as people with reduced physical, sensory or mental abilities or lack of experience and knowledge, can use this equipment, provided that they have received supervision or guidance on safe use of this equipment and know the dangers involved.

-Children are not allowed to use this equipment alone. Without supervision, children are not allowed to carry out cleaning and user maintenance.

-If there are any signs of damage or malfunction, do not operate the heater.

-Do not try to repair or adjust any electrical or mechanical functions on this device. The device does not contain any user-serviceable parts. Only qualified electricians can carry out maintenance or repair. Trying to repair the equipment yourself will void your warranty.

-If the power cable is damaged, it must be replaced by the manufacturer, agent or professional to avoid danger.

-Do not touch the heater or components with your bare hands. If you touch it unintentionally, use a soft cloth and alcohol to remove the finger marks, otherwise these marks will burn into the components, resulting in premature failure of the heater.

-Do not replace or attempt to replace the components in this product.

-This product is suitable for indoor and outdoor use. Do not use this heater near the bathroom, shower or swimming pool.

- Do not expose this heater to outdoor elements for long periods of time.

-Do not touch the plug with wet hands.

-Do not run the power cord under the carpet. Do not cover the power cord with carpet, slide or similar covering. Place the power cord away from pedestrians and foot paths to avoid tripping.

-Do not wrap the power cord around the equipment.

-Do not insert foreign objects into any ventilation or opening of the heater, as this may cause electric shock, fire, or damage to the heater.

-To prevent possible fire, do not block the vent.

-There are heating and arc, or spark parts inside the heater. Do not use it in areas where gasoline, paint, explosives and/or flammable liquids are used or stored. Keep the equipment away from heated surfaces and open flames.

-Avoid using extension cords as much as possible, as this may overheat and cause a fire. However, if you have to use extension cord, please make sure that it is suitable for this product, or has been tested for outdoor use, and it is best to install or connect with an extension cord with RCD.

-Always ensure that the heater is plugged into a suitable socket, which needs to be tested for outdoor use.

-To disconnect the heater, turn off the main switch and then unplug the plug from the socket. Do not unplug the plug by pulling the power cord. Do not unplug the heater before turning the main switch to the off position.

-Before moving, cleaning or storing, always unplug the equipment and ensure that it is completely cooled.

-This heater is for domestic use only and should not be used for business. Any alternative use not recommended by the manufacturer may cause fire, electric shock or personal injury.

-It is not recommended to use accessories on the heater.

-**WARNING:** This heater is not equipped with a device to control the room temperature. Do not use this heater in a small room unsupervised.

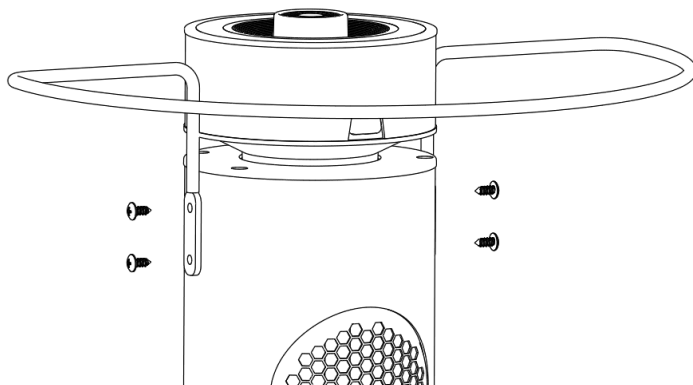
-Always use on dry, properly firm, stable, flat and horizontal surfaces.

-Check the communication, cable and pipeline of the external wall. If there is any service line nearby, please don't use the heater. You need to find another line to use this product.

-Do not use heater directly above or below a power outlet.

-Do not remove any warning labels or signs from the product.

## Installation instructions for the fireproof bracket

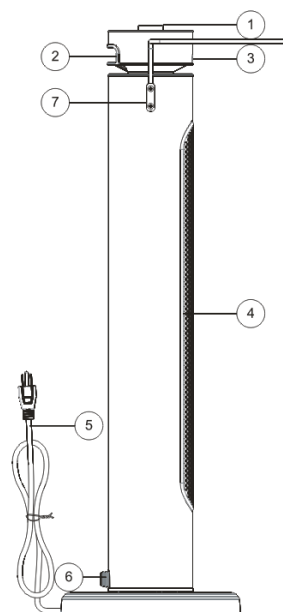


Install the bracket on the product as shown and secure with included screws

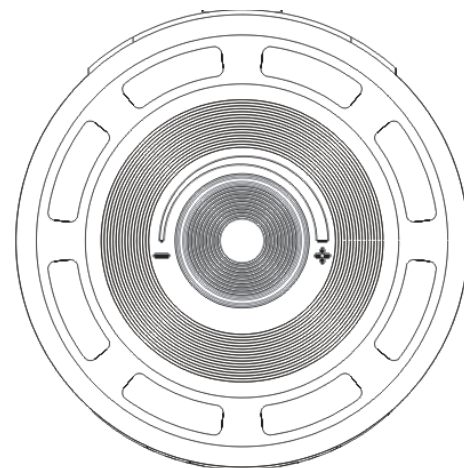
## Product operating instructions

### Product overview:

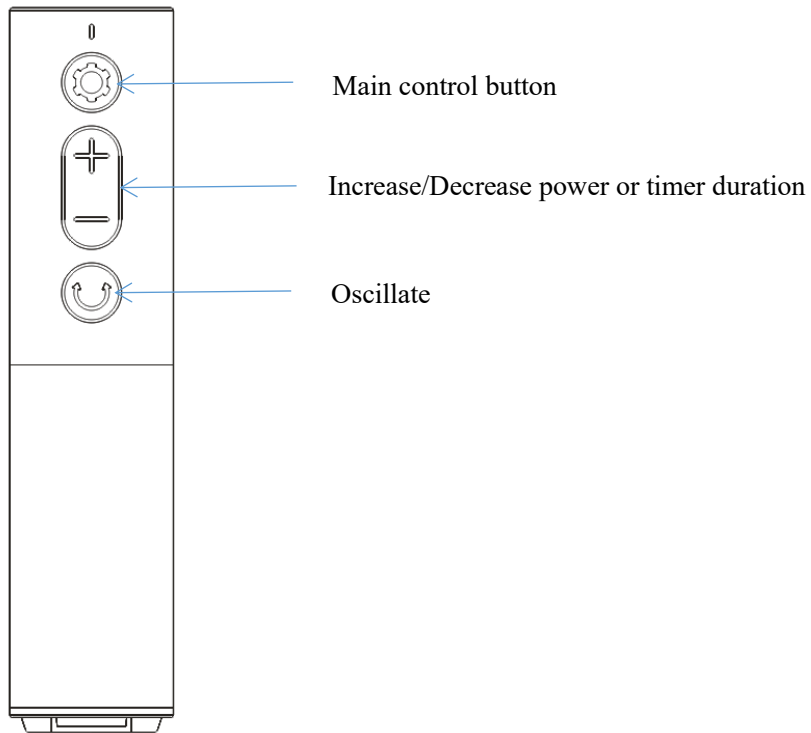
- ① Control knob
- ② Handle
- ③ Remote control receiver
- ④ Protective net
- ⑤ Power cord
- ⑥ ON/OFF switch
- ⑦ Fire Safety Bracket



1. Plug the power cord into the socket and power on with the ON/OFF switch.
2. Turn the control knob clockwise the required power, which is divided into 8 gears in total, and divided equally according to the total power. Each red light represents one gear. Turn the knob switch counterclockwise to reduce the power until all lights flash red, indicating that the product has entered standby.
3. When the heater is in heating mode, press and hold the control knob until you hear the prompt sound. To turn on the oscillation, press and hold again to turn it off.



4. Press the knob switch lightly in the heating mode of the machine, and all the indicators will turn green, indicating that the heater is in timer mode. It can be set for 8 hours in total, and each green light represents one hour. After stopping any operation, it will revert back to the power mode.
5. The above commands can also be operated by using the remote control.



Note: computer heater gear division

<b>Model</b>	<b>HIL-GR15Y</b>
<b>P1(W)</b>	<b>187.5WW</b>
<b>P2(W)</b>	<b>375W</b>
<b>P3(W)</b>	<b>562.5W</b>
<b>P4(W)</b>	<b>750W</b>
<b>P5(W)</b>	<b>937.5W</b>
<b>P6(W)</b>	<b>1125W</b>
<b>P7(W)</b>	<b>1312.5W</b>
<b>P8(W)</b>	<b>1500W</b>
<b>Timing (h)</b>	<b>eight</b>

## **Maintenance and cleaning**

It is necessary to regularly and carefully maintain the infrared heater to realize the long-term and efficient operation of the equipment.

Check the cleanliness of reflector and infrared filament at least once a month. If necessary, apply cleaning and maintenance instructions.

Check more often if in a dusty area.

When cleaning the equipment, visually inspect for the deformation of mirrors, wires and frames. If there is any deformation, please consult a qualified technician.

When cleaning the equipment, visually check the power cord and plug. If there is any deformation, please consult a qualified technician.

It is recommended to replace the reflector every two years to improve the working efficiency.

## **Cleaning**

Regular cleaning will help your heater run longer and more efficiently.

Before cleaning the equipment, unplug the power cord to ensure safety.

For your safety, please make sure the power is turned off. The power plug must be unplugged.

The reflector and filament must be cleaned with a soft cloth, a smooth brush or cold or dry air. The cloth may be slightly damp.

Avoid using cleaning materials that may damage the reflector (detergent, etc.).



This electrical appliance cannot be regarded as ordinary household garbage, but must be handed in at the collection point where electrical appliances and electronic products are recycled.

Correctly discarding products contributes to protecting the environment and the health of your family. Improper disposal endangers health and the environment. More information about recycling this product can be obtained from your local town hall, your garbage collection service, or the store where you bought this product.



For all warranty issues, please call the warranty department at **1-888-775-1330**.

## **LIMITED WARRANTY**

AZ Patio Heater, LLC ("Vendor") warrants to the original retail purchaser of this heater to no other person, that if this heater is assembled and operated in accordance with the printed instructions accompanying it, then for a period of one year from the date of purchase, all parts in such heater shall be free from defects in manufacturing and workmanship. Vendor may require reasonable proof of your date of purchase from an authorized retailer or distributor. Therefore, you should retain your sales slip or invoice. This limited Warranty shall be limited to the repair or replacement of parts, which prove defective under normal use and service and which the vendor shall determine in its reasonable discretion upon examination to be defective. Before returning any parts, you should contact Vendors customer service department using the contact information listed below. If Vendor confirms, after examination a defect covered by this limited warranty in any returned part, and if Vendor approves the claim, Vendor will replace such defective part without charge. If you return defective parts, Transportation charges must be prepaid by you. Vendor will return replacement parts to the original retail purchaser, Freight or postage prepaid.

The limited Warranty does not cover any failures or operating difficulties due to accident, abuse, misuse, alteration, misapplication, improper installation or improper maintenance or service by you or third party. The failure to perform normal and routine maintenance on the product, shipping, damage, abnormal adjustment to the burner, damage or repairs related to insects, birds, or animals of any kind, and damage due to weather conditions as set out in this owner's manual. In addition, the Limited Warranty does not cover damage to the finish such as scratches, dents, discoloration, rust or weather damage, after purchase. Please protect your investment.

The limited Warranty is in lieu of all other warranties offered by any retail company. Vendor disclaims all warranties for products that are purchased from sellers other than authorized retailers or distributors. AFTER THE PERIOD OF THE 1 YEAR WARRANTY, VENDOR DISCLAIMS ANY AND IMPLIED WARRANTIES, INCLUDING WITHOUT LIMITATION THE IMPLIED WARRANTIES OF MERCHANTABILITY AND FITNESS FOR A PARTICULAR PURPOSE. FURTHER, VENDOR SHALL HAVE NO LIABILITY WHATSOEVER TO PURCHASER OR ANY THIRD PARTY FOR ANY SPECIAL, INDIRECT, PUNITIVE, INCIDENTAL, OR CONSEQUENTIAL DAMAGES. Vendor assumes no responsibility for any defects caused by third parties. This limited warranty gives the purchaser specific legal rights; a purchaser may have other rights depending upon where he or she lives. Some jurisdictions do not allow the exclusion or limitation of special, incidental or consequential damages, or limitations on how long a warranty lasts, so the above exclusion and limitations may not apply to you.

Vendor does not authorize any person or company to assume for it any other obligation or liability in connection with the sale, installation, use, removal, return, or replacement of its equipment, and no such representations are binding on vendor.

For warranty service, please contact [warranty@azpatioheaters.com](mailto:warranty@azpatioheaters.com) or call us toll free at 888-775-1330.