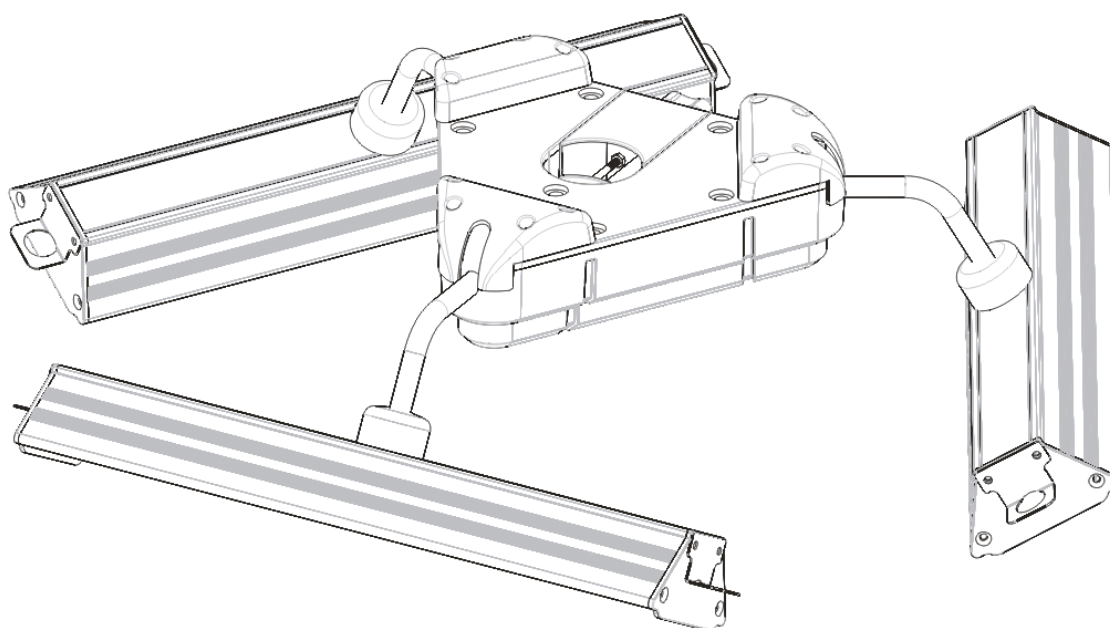


OWNER'S MANUAL

PARASOL PATIO HEATER
MODEL: HIL-HR15B



ATTACH YOUR RECEIPT HERE

Serial Numbers

Purchase Date



Questions, problems, missing parts? Before returning to your retailer, call our customer service department at **1-888-775-1330**, 7 a.m.- 4 p.m., Monday – Friday or email our warranty department at warranty@azpatioheaters.com.

Thank you for purchasing the infrared heater.

These operating instructions will help you use it correctly and safely.

We recommend that you take some time to read this instruction manual so that you can fully understand all the operating functions it provides.

Please read all safety instructions carefully before use and keep this manual for future reference.

SAFETY WARNINGS:

Please read all instructions before trying to operate this device. Keep the assembly instructions for future reference. When storing the heater during long periods of non-use, please keep the original packaging for storage.

- Do not leave this device unattended when in use.
- This heater will get hot when in use. Do not touch hot surfaces.
- **Note:** Some parts of this product may become very hot and cause burns. Do not leave children unattended during use.
- Do not move the device when using it. Before moving, please wait for the heater to cool completely, make sure the heater has been unplugged from the power supply.
- Place the device at least 3 feet away from highly flammable materials such as furniture, trees, leaves, hay and bushes.
- The heater must be at least 6 feet above the ground and at least 2 1/2 feet above the building ceiling or hanging objects.
- The heater must not face up towards the ceiling. The heater element must face the area to be heated.
- To avoid overheating, do not cover the heater. The heater is not for drying clothes.
- Keep children and pets at a safe distance away from equipment.
- Children are not allowed to play with the equipment. Children should not carry out cleaning and user maintenance.
- If there are any signs of damage or malfunction, do not operate the heater.

- Do not try to repair or adjust any electrical or mechanical functions on this device. The device does not contain any user-serviceable parts. Only qualified electricians can carry out maintenance or repair. Trying to repair the equipment yourself will void any warranty.

- If the power cord is damaged, it must be replaced by the manufacturer, its service agent or similar qualified personnel to avoid danger.

- Do not operate components with bare hands. If accidentally touched, use a soft cloth and methylated alcohol or alcohol to remove finger marks, otherwise these marks will burn into the components, resulting in premature failure of the heater.

- Do not replace or attempt to replace the components in this product.

- This product is suitable for indoor and outdoor use. Do not use this heater near the bathroom, shower or swimming pool.

- This product must not be exposed outdoors for long periods of time when not in use.

- Do not touch the plug with wet hands.

- Do not cover the power cord with carpet, slide or similar covering. Place the power cord away from foot traffic to avoid trips.

- Do not wrap the power cord around the equipment.

- Do not insert or allow foreign objects into any ventilation or opening of the heater, as this may cause electric shock, fire or damage to the heater.

- To prevent possible fire, do not block the vent.

- There are heating and arc or spark parts inside the heater. Do not use it in areas where gasoline, paint, explosives and/or flammable liquids are used or stored. Keep the equipment away from heated surfaces and open flames.

- Avoid using extension cords as much as possible, as this may overheat and cause a fire. However, if you have to use the extension cable, please make sure that it is suitable for the purpose, has been tested for outdoor use, and it is best to have RCD equipment installed or connected.

- Always make sure that the heater is plugged into a suitable socket, which has been tested for outdoor use.

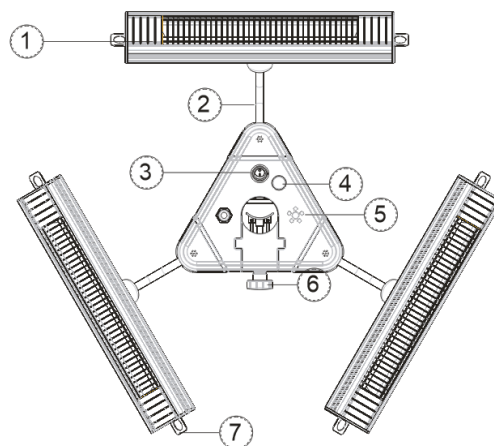
- To disconnect the heater, turn off the controller and unplug it from the socket. Do not unplug the plug by pulling the power cord.

- Before moving, cleaning or storing, always unplug the equipment to ensure that it is completely cooled.
 - This heater is for domestic use only and should not be used for commercial contract purposes. Any alternative use not recommended by the manufacturer may cause fire, electric shock or personal injury.
 - It is not recommended to use accessories on the heater.
 - **Warning:** This heater is not equipped with a device to control the room temperature. Unless there is continuous supervision, do not use this heater in a small room occupied by people who are not able to leave the room by themselves.
 - Before installing the heater, check the outer wall for damaged areas.
 - Check the communication, cable and pipeline of the external wall. If there are any service lines nearby, please don't install the heater and find another place to install this product.
 - Do not put it directly above or below the power outlet.
 - Do not remove any warning labels or signs from the product.
-

Product operating instructions

Part List:

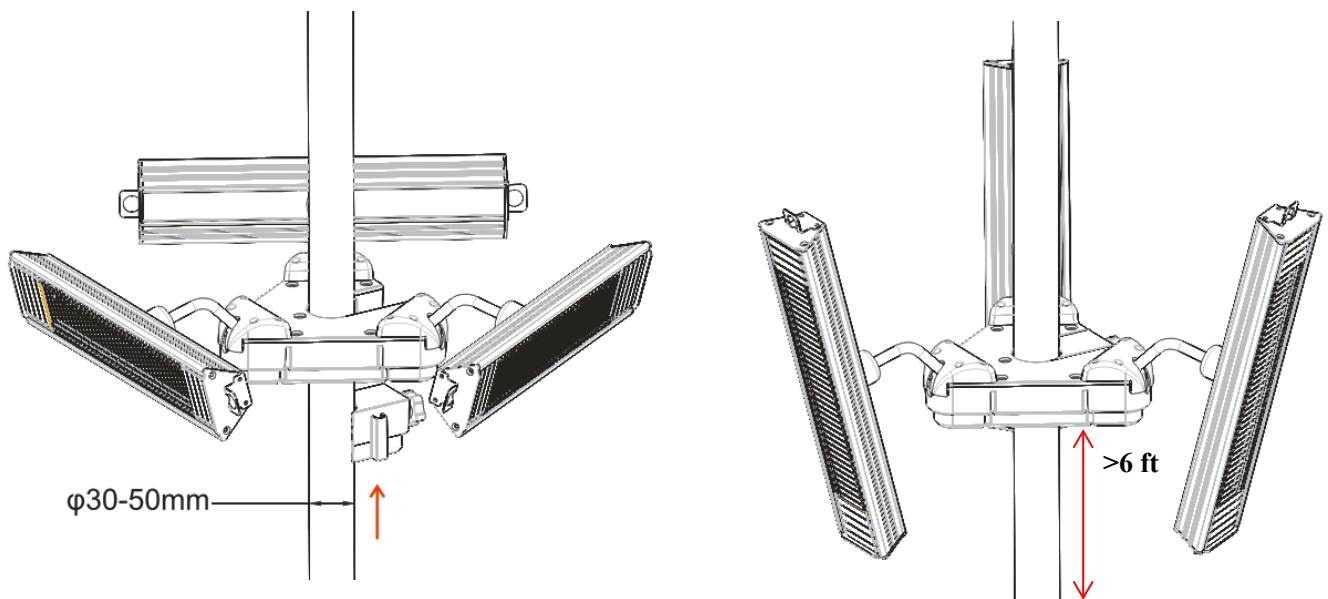
- 1 Heating Element
- 2 Arm
- 3 On/Off Switch
- 4 Variable Control Button
- 5 Status Indicator Light
- 6 Coupler Lock
- 7 Handle



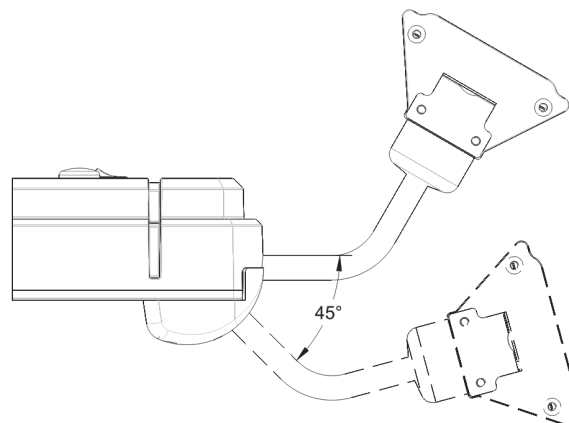
Warning: Do not use electricity until the product is installed

INSTALLATION:

1. Remove the coupler on the product, align the product gap with the pole and insert it (suitable for poles with a diameter of 1-2 in.), install the coupler and tighten the knob until coupler is firmly gripping the pole.
2. The installation height should be no less than 6 feet.
3. As shown in the figure, after fixing the product, the product can work in horizontal or vertical state.



Each arm can be adjusted to 45 degrees.



OPERATING INSTRUCTIONS:

1. Press the main switch to the ON position.
2. Once the main switch is in the ON position, press the variable control button next to it to switch between the heating parts.
3. Press once to activate heating element 1.
4. Press twice to activate heating element 2.
5. Press three times to activate heating element 3.
6. Press four times to activate all heating elements at the same time.
7. Each heating element can be controlled individually by using the remote control.



SPECIFICATIONS:

Model	HIL-HR15B
Voltage Rating	120V~(60Hz)
Power Consumption	1500W
Unit Size	750(W)*857(D)*150(H)

Maintenance and cleaning

MAINTENANCE:

It is necessary to regularly and carefully maintain the infrared heater to maximize the long-term and efficient operation of the equipment.

Check the cleanliness of reflector and infrared filament at least once a month. If necessary, apply cleaning and maintenance instructions.

Considering the amount of dust in the environment, the number of inspections can be increased.

When cleaning the equipment, visually inspect the deformation of mirrors, wires and frames. If there is any deformation, please consult a qualified technician.

When cleaning the equipment, visually check the power cord and plug. If there is any deformation, please consult a qualified technician.

It is recommended to replace the reflector every two years to improve the working efficiency.

CLEANING:

Regular cleaning will help your heater run longer and more efficiently.

Before cleaning the equipment, unplug the power cord to ensure safety.

For your safety, please make sure the power is turned off. The power cord must be unplugged.

The reflector and filament must be cleaned with a soft cloth, a smooth brush or cold or dry air.

Avoid using cleaning materials that may damage the reflector (detergent, etc.).



This symbol on the packaging of the product indicates that the electrical appliance cannot be regarded as ordinary household garbage but must be handed in at the collection point where electrical appliances and electronic products are recycled.

Your correct handling of products contributes to protecting the environment and the health of your family. Improper disposal endangers health and the environment. More information about recycling this product can be obtained from your local town hall, your garbage collection service, or the store where you bought this product.

For all warranty issues, please call the warranty department at 1-888-775-1330.

LIMITED WARRANTY

AZ Patio Heater, LLC ("Vendor") warrants to the original retail purchaser of this heater to no other person, that if this heater is assembled and operated in accordance with the printed instructions accompanying it, then for a period of one year from the date of purchase, all parts

in such heater shall be free from defects in manufacturing and workmanship. Vendor may require reasonable proof of your date of purchase from an authorized retailer or distributor. Therefore, you should retain your sales slip or invoice.

This limited Warranty shall be limited to the repair or replacement of parts, which prove defective under normal use and service and which the vendor shall determine in its reasonable discretion upon examination to be defective.

Before returning any parts, you should contact Vendors customer service department using the contact information listed below. If Vendor confirms, after examination a defect covered by this limited warranty in any returned part, and if Vendor approves the claim, Vendor will replace such defective part without charge. If you return defective parts, Transportation charges must be prepaid by you. Vendor will return replacement parts to the original retail purchaser, Freight or postage prepaid.

The limited Warranty does not cover any failures or operating difficulties due to accident, abuse, misuse, alteration, misapplication, improper installation or improper maintenance or service by you or third party. The failure to perform normal and routine maintenance on the product, shipping, damage, abnormal adjustment to the burner, damage or repairs related to insects, birds, or animals of any kind, and damage due to weather conditions as set out in this owner's manual. In addition, the Limited Warranty does not cover damage to the finish such as scratches, dents, discoloration, rust or weather damage, after purchase. Please protect your investment.

The limited Warranty is in lieu of all other warranties offered by any retail company. Vendor disclaims all warranties for products that are purchased from sellers other than authorized retailers or distributors. AFTER THE PERIOD OF THE 1 YEAR WARRANTY, VENDOR DISCLAIMS ANY AND IMPLIED WARRANTIES, INCLUDING WITHOUT LIMITATION THE IMPLIED WARRANTIES OF MERCHANTABILITY AND FITNESS FOR A PARTICULAR PURPOSE. FURTHER, VENDOR SHALL HAVE NO LIABILITY WHATSOEVER TO PURCHASER OR ANY THIRD PARTY FOR ANY SPECIAL, INDIRECT, PUNITIVE, INCIDENTAL, OR CONSEQUENTIAL DAMAGES. Vendor assumes no responsibility for any defects caused by third parties. This limited warranty gives the purchaser specific legal rights; a purchaser may have other rights depending upon where he or she lives. Some jurisdictions do not allow the exclusion or limitation of special, incidental or consequential damages, or limitations on how long a warranty lasts, so the above exclusion and limitations may not apply to you.

Vendor does not authorize any person or company to assume for it any other obligation or liability in connection with the sale, installation, use, removal, return, or replacement of its equipment, and no such representations are binding on vendor.

For warranty service, please contact warranty@azpatioheaters.com or call us toll free at 888-775-1330.