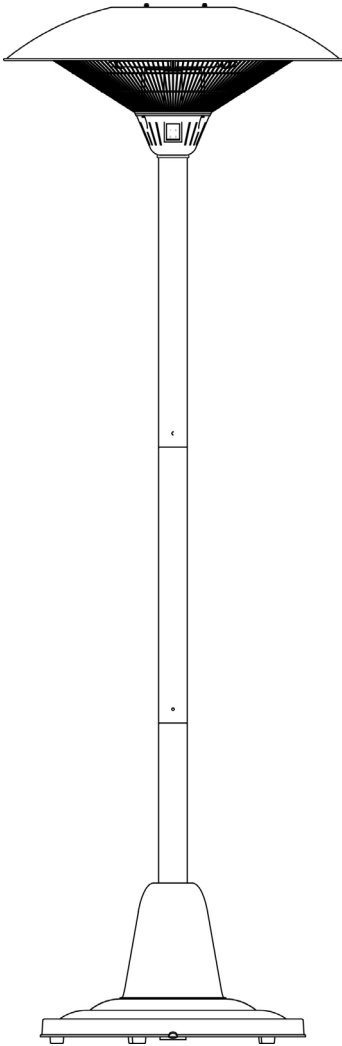


**OWNER'S MANUAL**

**Patio Heater  
MODEL: HIL-1500BS**



**ATTACH YOUR RECEIPT HERE**

**Serial Number:**

**Purchase Date:**



**Questions, problems, missing parts?** Before returning to your retailer, call our customer service department at **1-888-775-1330**, 7 a.m.- 4 p.m., Monday – Friday or email our warranty department at [warranty@azpatioheaters.com](mailto:warranty@azpatioheaters.com).

Thank you for purchasing your new Heater.

These operating instructions will help you use it properly and safely.

We recommend that you spend some time reading this instruction manual in order that you fully understand all the operational features it offers.

Read all the safety instructions carefully before use and keep this instruction manual for future reference.

## **SAFETY WARNINGS:**

READ ALL INSTRUCTIONS BEFORE ATTEMPTING TO OPERATE THIS UNIT. KEEP THE ASSEMBLY INSTRUCTIONS FOR FUTURE REFERENCE. KEEP THE ORIGINAL PACKAGING FOR USE WHEN STORING THE HEATER DURING EXTENDED PERIODS OF NON-USE.

-Do not leave this unit unattended when in use.

-This heater will get hot when in use. Do not touch hot surfaces.

-Caution: Some parts of this product can become very hot and cause burns. Children should not be left alone with this heater.

-Do not move the unit when in use. Wait until the heater is completely cool before moving and check that it has been unplugged from the power supply.

-Position the unit at least 3 feet away from highly combustible materials such as furniture, trees, leaves, dry grass and bushes.

-The heater must not be positioned with the heating element pointing upwards towards a ceiling. The heater element must be facing the area it is to heat.

-To avoid overheating do not cover the heater. It is not for drying clothes.

-Children shall not play with the appliance. Cleaning and user maintenance shall not be done by children.

-Do not operate the heater if any signs of damage or malfunction manifest themselves.

-Do not attempt to repair or adjust any electrical or mechanical functions on this unit. The unit does not contain any user serviceable parts. Only a qualified electrician should perform servicing or repairs. Attempting to repair the unit yourself will void any warranty.

-If the power cable is damaged, it must be replaced by the manufacturer, its service agent or similarly qualified persons to avoid a hazard.

-Do not handle the element with bare hands. If it is inadvertently touched, remove finger marks with a soft cloth and methylated spirits or alcohol, otherwise the marks will burn into the element causing premature heater failure.

-Do not replace or attempt to replace the element in this product.

-This product is suitable for indoor and outdoor use. Do not use this heater in the immediate surroundings of a bath, shower or swimming pool.

-This product must not be left outdoors exposed to the elements for long periods of time.

-Do not touch the plug with wet or damp hands.

- Do not run the power cable under carpeting. Do not cover the power cable with rugs, runners, or similar coverings. Arrange the power cable away from foot traffic and where it will not be tripped over.
- Do not wind the power cable around the unit.
- Do not insert or allow foreign objects to enter any ventilation or opening on the heater, as this may result in electric shock, fire, or damage to the heater.
- To prevent a possible fire, do not block the air vents.
- A heater has hot and arcing or sparking parts inside. Do not use in areas where petrol, paint, explosive and/or flammable liquids are used or stored.
- Keep the unit away from heated surfaces and open flames.
- Where possible, avoid the use of an extension cable as this may overheat and cause a fire. However, if you have to use an extension cable, ensure it is suitable for the purpose, has been tested for outdoor use and preferably has an RCD device fitted or attached.
- Always ensure the heater is plugged into a suitable outlet, one that is tested for outdoor use.
- To disconnect heater, turn controls to OFF, then remove plug from socket. Do not unplug by pulling on the power cable.
- Always unplug the unit and ensure the unit is completely cooled before moving, cleaning, or storing.
- This heater is intended for domestic use only and should not be used commercially for contract purposes. Any alternative use, not recommended by the manufacturer, may result in fire, electric shock, or injury to persons.
- The use of attachments on the heater is not recommended.
- Do not use this heater with a programmer, timer, separate remote-control system or any other device that switches the heater on automatically, since a fire risk exists if the heater is covered or positioned incorrectly.
- Warning: This heater is not equipped with a device to control the room temperature. Do not use this heater in small rooms when occupied by persons not capable of leaving a room on their own, unless constant supervision is provided.
- Check exterior walls for areas of damage before installing the heater.
- Always use on a dry, suitably strong, stable, flat and level surface.
- Check exterior walls for communication and electrical cables and pipelines. Should any service lines be present in the immediate vicinity do not install your heater, find an alternative location to install this product.
- Do not position directly above or below an electrical socket.
- Do not remove any of the warning stickers or signs from the product.

## INSTALLATION:

Unpack the heater making sure that all the items are present and that there are no components left in the box and that the heater head is free from any packing material.

Using the detailed drawing to follow the steps to assemble your heater.

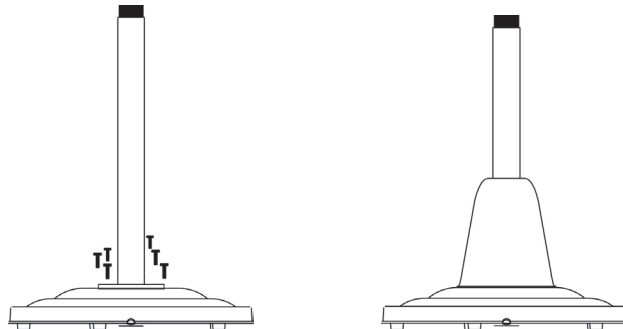
Do not connect the heater to the power supply until assembly is complete.

Do not connect the heater to the power supply if any of the components or the power cable is damaged in any way.

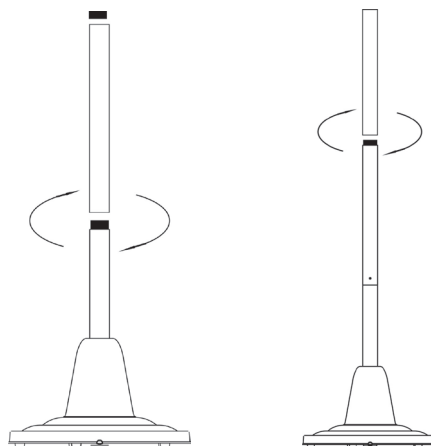
If in doubt contact your supplier.

## ASSEMBLY:

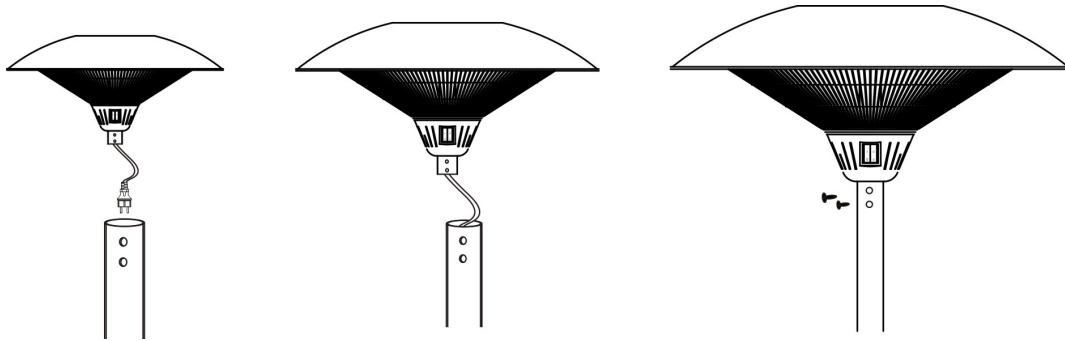
Step 1: Fix the lower tube to the base by using provided 6\*30mm (6) bolts. Place the cover onto the lower tube.



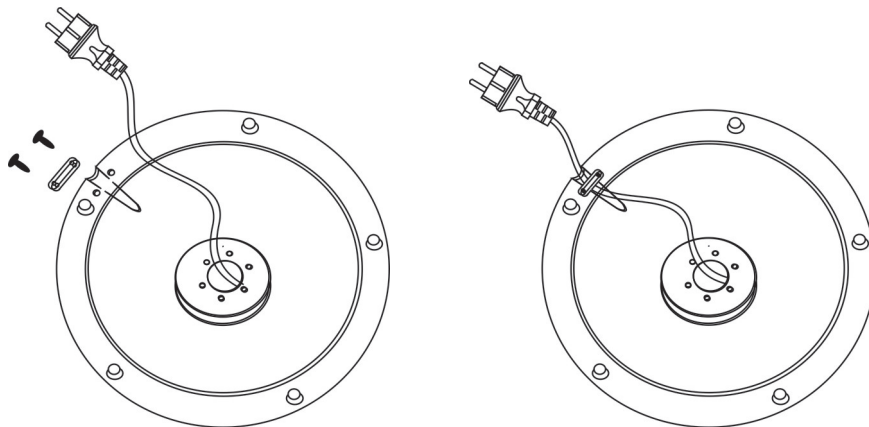
Step 2: Connect the middle tube with bottom tube by screwing them together. Connect the top tube with middle tube by screwing them together.



Step 3: **This step may require 2 people.** Feed the Power cable through the tubes and pull through the bottom of the base. Push the Heater Head onto the Top Tube and fix it in position using the provided 4\*10mm (2) screws.



Step 4: Fix the Power cable on the Iron Base by using provided 6\*14mm (2) screws.



## **OPERATION:**

Connect the power cable to a power outlet that is located in a safe, dry area.

- ~ The switch on the heater head is used to control the two heat settings.  
(I) for 750W -(II) for 1500W.
- ~ Do not use heater when raining or in wet conditions.
- ~ Always disconnect the power cable from the electrical supply, when the heater is not in use.

## **CLEANING AND MAINTENANCE:**

~ When disconnected from the power supply, clean the outside of the patio heater with a damp cloth. Never use corrosive or solvent cleaners or immerse in water.

~ Any maintenance or repairs, including replacing the halogen tube, should only be carried out by a qualified electrician or by a recommended service center.

Only use the heater on a firm solid horizontal surface where all the feet on the base are in contact with the floor. (Should the heater be tilted or fall over the auto cut off switch will activate)

1. Position the heater outside or in a large open area and well away from any obstructions such as branches or where the heater is near any objects that can be affected by heat, such as furniture, curtains or other inflammable objects (minimum distance 3 feet).
2. Do not use in non-ventilated areas.
3. Do not push any items through, obstruct or cover the grill of the heater head.
4. Do not move when connected to a power supply and always wait for the heater to cool down before storing away.
5. The head of the unit is at a high temperature during operation. Do not touch the heater head when in use. Unplug the unit and wait until it cools before cleaning
6. Do not leave turned on and unattended, especially when children and/or animals are in the vicinity.
7. The indication of the different positions of switches shall be visible from a distance of 3 feet.
8. The rating label or other marks shall be visible after the heater has been installed. It shall not be placed at the back side of heaters.
9. The unit must be fixed with the clearance of 3 feet to the wall and 18 inches to the ceiling.
10. The unit must be correctly installed according to the instructions. Make sure the head is at least 5 feet from the floor.
11. The unit is at a high temperature during operation. It remains hot for a period after shutting down. Do not touch the unit while it is cooling down.
12. Do not cover the unit with anything during operation or a short time after it's shut down. Do not wrap the power cable around the unit.
13. The unit must be handled with care and avoid vibration or hitting.
14. The unit must be securely grounded during operation.
15. If the unit gets damaged, it must be repaired by professional electricians.
16. The unit is for household use only. It is not safe to use on a building site, greenhouse, barn or stable where there's flammable dust.
17. Do not use this unit in places where causticity or volatile air exists, i.e. dust, steam, gas, etc.

18. Do not use this unit as a cloth drier or towel drier. Do not use this unit as a sauna heater. Do not use this unit in animal farms. Do not immerse this unit into water for cleaning.

19. The unit should be plugged into an outlet, which is easily visible and reachable.

20. Two Dark points may exist on the surface of the heating elements during the first few minutes after it is turned on. This is normal and will not affect the performance of the unit.

### **Specifications:**

Model: HIL-PHH-1500BS

Voltage	AC120V
Frequency	60Hz
Electric Power	1500W



The symbol on the product or in the instructions means that your electrical and electronic equipment should be disposed of at the end of its life separately from your household waste.

For more information, please contact the local authority or your retailer where you purchased the product.

For all warranty issues, please call the warranty department at **1-888-775-1330**.

### **LIMITED WARRANTY**

AZ Patio Heater, LLC ("Vendor") warrants to the original retail purchaser of this heater to no other person, that if this heater is assembled and operated in accordance with the printed instructions accompanying it, then for a period of one year from the date of purchase, all parts in such heater shall be free from defects in manufacturing and workmanship. Vendor may require reasonable proof of your date of purchase from an authorized retailer or distributor. Therefore, you should retain your sales slip or invoice. This limited Warranty shall be limited to the repair or replacement of parts, which prove defective under normal use and service and which the vendor shall determine in its reasonable discretion upon examination to be defective. Before returning any parts, you should contact Vendors customer service department using the contact information listed below.

If Vendor confirms, after examination a defect covered by this limited warranty in any returned part, and if Vendor approves the claim, Vendor will replace such defective part without charge. If you return defective parts, Transportation charges must be prepaid by you. Vendor will return replacement parts to the original retail purchaser, Freight or postage prepaid.

The limited Warranty does not cover any failures or operating difficulties due to accident, abuse, misuse, alteration, misapplication, improper installation or improper maintenance or service by you or third party. The failure to perform normal and routine maintenance on the product, shipping, damage, abnormal adjustment to the burner, damage or repairs related to insects, birds, or animals of any kind, and damage due to weather conditions as set out in this owner's manual. In addition, the Limited Warranty does not cover damage to the finish such as scratches, dents, discoloration, rust or weather damage, after purchase. Please protect your investment.

The limited Warranty is in lieu of all other warranties offered by any retail company. Vendor disclaims all warranties for products that are purchased from sellers other than authorized retailers or distributors. AFTER THE PERIOD OF THE 1 YEAR WARRANTY, VENDOR DISCLAIMS ANY AND IMPLIED WARRANTIES, INCLUDING WITHOUT LIMITATION THE IMPLIED WARRANTIES OF MERCHANTABILITY AND FITNESS FOR A PARTICULAR PURPOSE. FURTHER, VENDOR SHALL HAVE NO LIABILITY WHATSOEVER TO PURCHASER OR ANY THIRD PARTY FOR ANY SPECIAL, INDIRECT, PUNITIVE, INCIDENTAL, OR CONSEQUENTIAL DAMAGES. Vendor assumes no responsibility for any defects caused by third parties. This limited warranty gives the purchaser specific legal rights; a purchaser may have other rights depending upon where he or she lives. Some jurisdictions do not allow the exclusion or limitation of special, incidental or consequential damages, or limitations on how long a warranty lasts, so the above exclusion and limitations may not apply to you.

Vendor does not authorize any person or company to assume for it any other obligation or liability in connection with the sale, installation, use, removal, return, or replacement of its equipment, and no such representations are binding on vendor.

For warranty service, please contact [warranty@azpatioheaters.com](mailto:warranty@azpatioheaters.com) or call us toll free at 888-775-1330.